

TOTO®

CST464MF

Aquia® III Close Coupled Toilet, 1.6GPF/0.9GPF

FEATURES

- Dual-Max® flushing system
- Extended skirt
- Universal Height
- Close coupled elongated front bowl and tank set, less seat
- Chrome push-button style flush option
- ADA compliant

MODELS

- CST464MF

COMPONENTS

- CT464F - Elongated Front Bowl
- ST464M - Tank and Cover only
- SS204 SoftClose® seat (sold separately)
- SS114 SoftClose® seat (sold separately)

COLORS/FINISHES

- Standard
 - #01 Cotton
 - #03 Bone
 - #11 Colonial White
 - #12 Sedona Beige
 - #51 Ebony

PRODUCT SPECIFICATION

The two-piece low consumption dual-max flushing system toilet shall be 1.6GPF/0.9GPF. Toilet shall be ADA compliant and have a high-profile tank, elongated front bowl and chrome push-button type trip lever. Toilet shall be TOTO Model CST464MF ____.



DUALMAX
FLUSHING SYSTEM BY TOTO

CODES/STANDARDS

- ADA compliant (center mount actuator/trip lever is approach side neutral*)
- Meets and exceeds ASME A112.19.2/CSA B45.1, ASME A112.19.14
- Certifications: IAPMO (cUPC), EPA Watersense, State of Massachusetts, City of Los Angeles, and others
- Code compliance: UPC, IPC, NSPC, NPC Canada, and others
- Legislative compliance: California AB715, California Green Building Code, City of Los Angeles Water Efficiency Ordinance

* consult with your local jurisdiction for special requirements



CST464MF

Aquia® III Close Coupled Toilet, 1.6GPF/0.9 GPF

SPECIFICATIONS

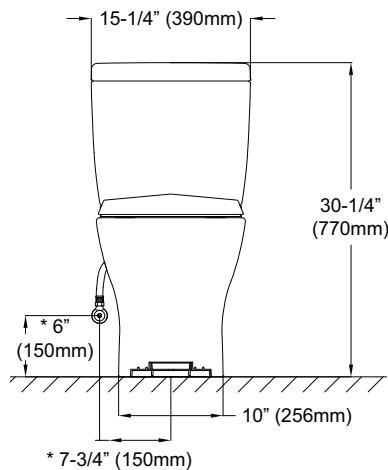
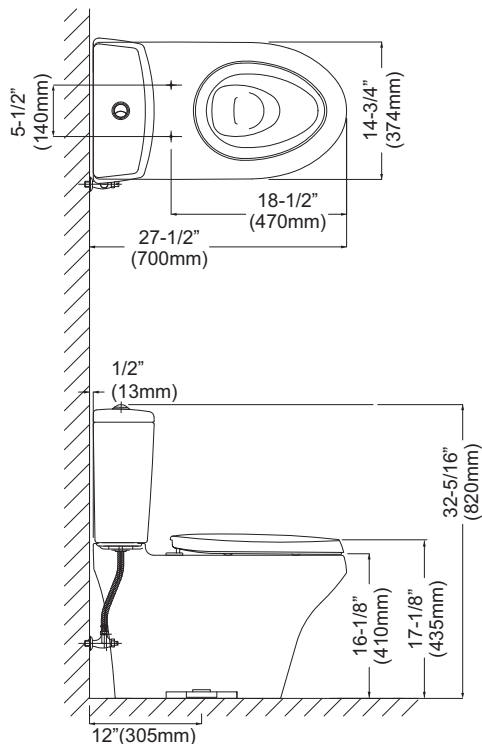
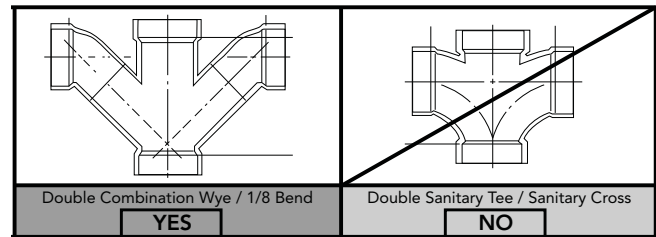
- Water Use 1.6 GPF/0.9GPF (6.0 LPF/3.4LPF)
- Flush System Dual-Max
- Min. Water Pressure 8 psi (static)
- Water Surface 6" x 4-1/2"
- Trap Diameter 2-1/8"
- Rough-in 12"
- Trap Seal 2-1/8"
- Warranty One Year Limited Warranty
- Material Vitreous china
- Shipping Weight CT464F - 78lbs
ST464M - 30lbs
- Shipping Dimensions CT464F
28-1/2" L x 15" W x 18" H

ST464M
16" L x 7" W x 17" H

INSTALLATION NOTES

Back-to-Back Toilet Installations:

TOTO recommends the use of a nationally listed, double sanitary tee-wye only, in vertical waste stacks, in accordance with the stipulations noted in the majority of nationally recognized plumbing codes.



TOTO®

These dimensions and specifications are subject to change without notice